

Street Lights

OptoLed
Saving Energy

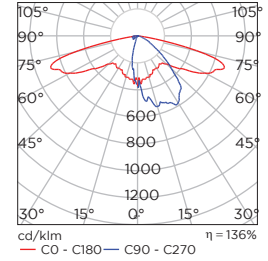


Cosmo

Optical Details

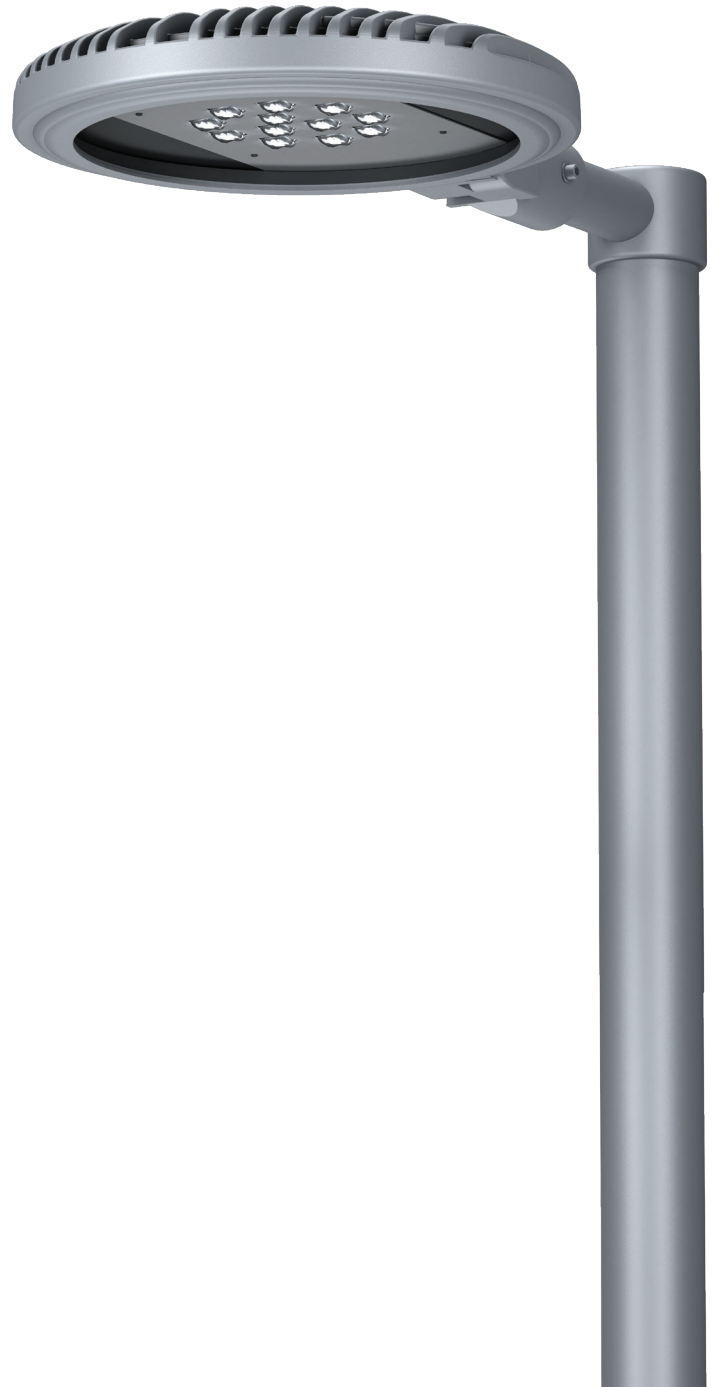
Mechanical Details

- Corrosion resistant die-cast aluminium body
- Excellent heat dissipation for cooling electronics components
- Impact and heat resistant tempered glass
- Stainless steel screws
- Waterproof and durable silicone gaskets
- In compliance with European Standards EN-60598
- Mechanical impact resistance IK 08
- Protection Grade IP66
- Electrical installation Class I
- Electrostatic polyester powder coating with high thermal conductivity



Electrical Details

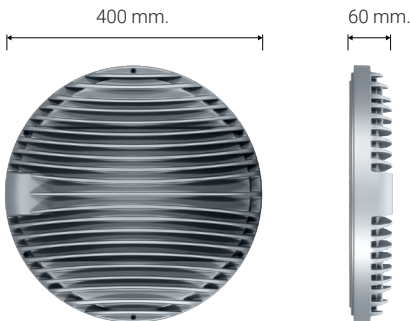
- DC forward current : 700mA
- PMMA Optical Lens Efficiency : >88%
- PCB Heat Conductivity : >1.2W/mK
- Input Voltage : 230VAC
- Frequency Range : 47 ~ 63Hz
- Power Factor : >0.9
- Total Harmonic Distortion(THD) : <15%
- Color Temperature : 3000-6500 (K)
- Color Rendering Index : >70
- Temperature of Working Condition : - 40C to + 55C
- Humidity of Working Condition : 10% ~ 90%
- Led Efficiency (Typ.) : 105-120 (lm/W)
- Working Life : >50,000Hrs
- Protection Grade : IP66



Specification

Code	Watt	Lamp	Current	Lumen
Cosmo	45W	Power Led	700mA	4620 lm.
Cosmo	56W	Power Led	700mA	5880 lm.
Cosmo	80W	Power Led	700mA	7770 lm.
Cosmo	110W	Power Led	700mA	11550 lm.
Cosmo	150W	Power Led	700mA	15750 lm.

Technical Detail



Standards

Cosmo

